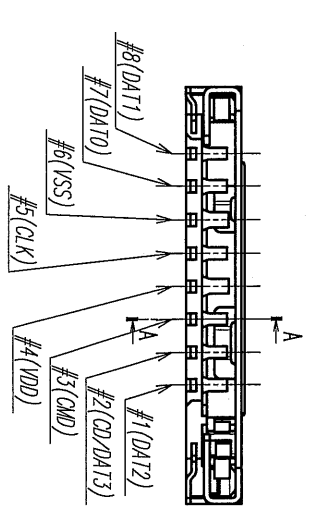
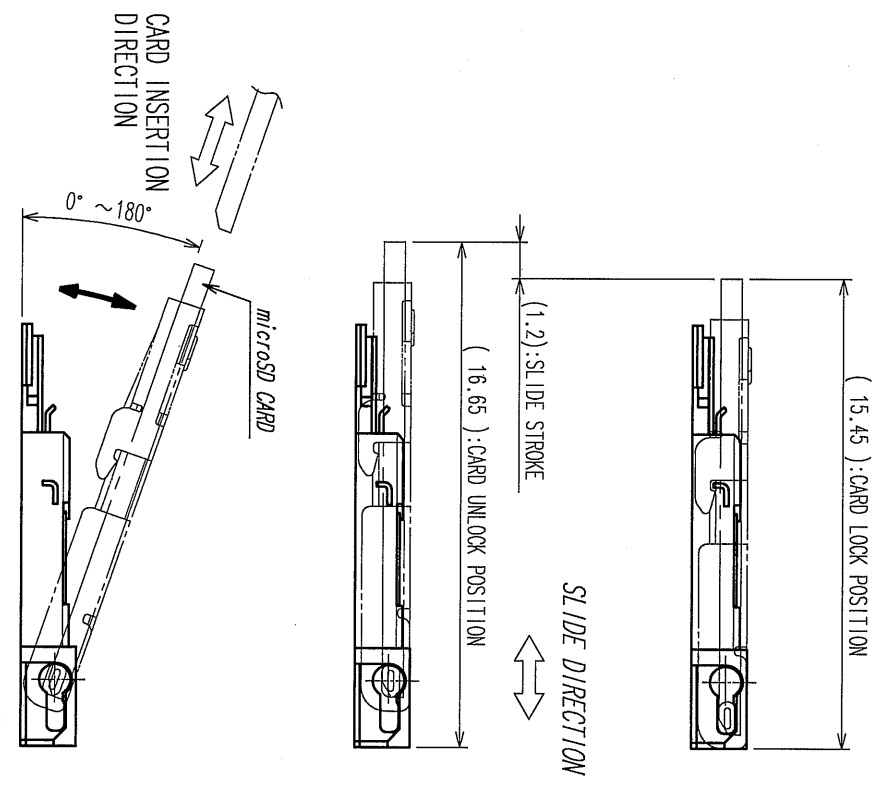
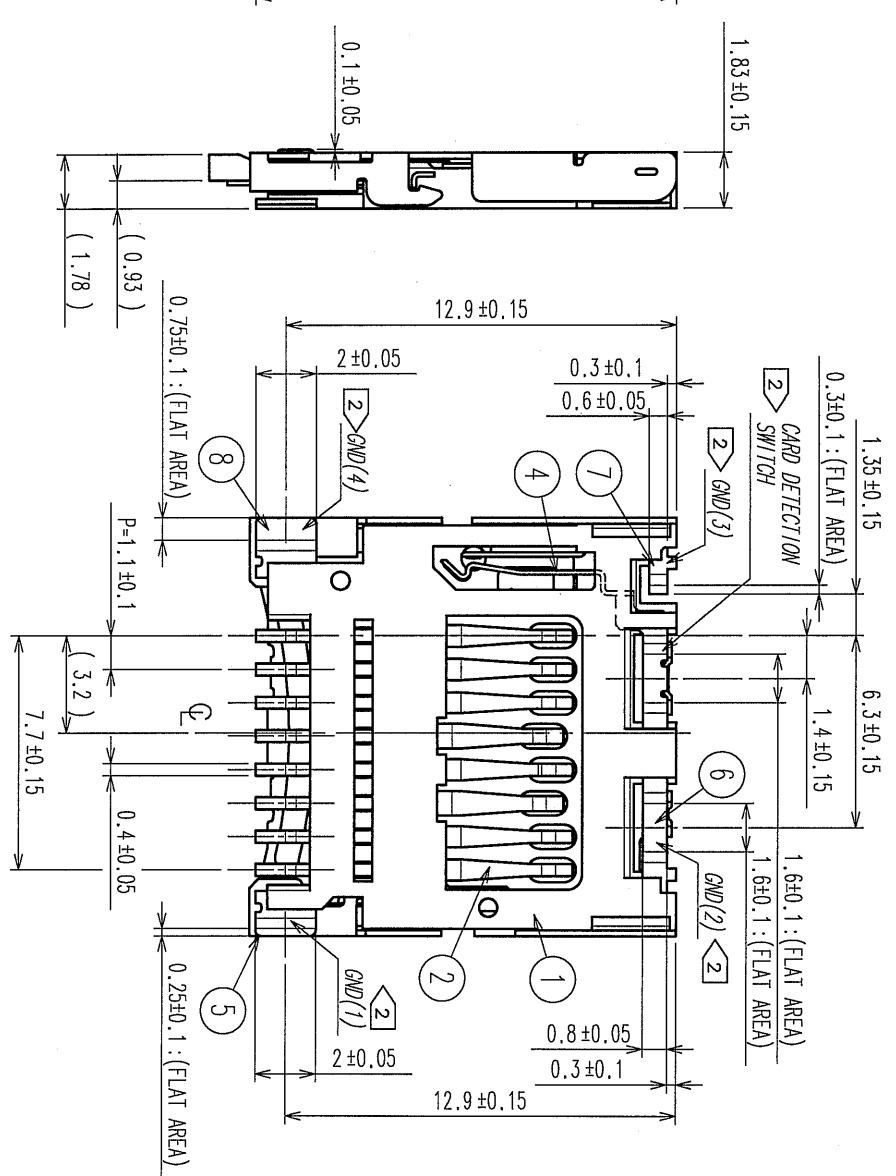
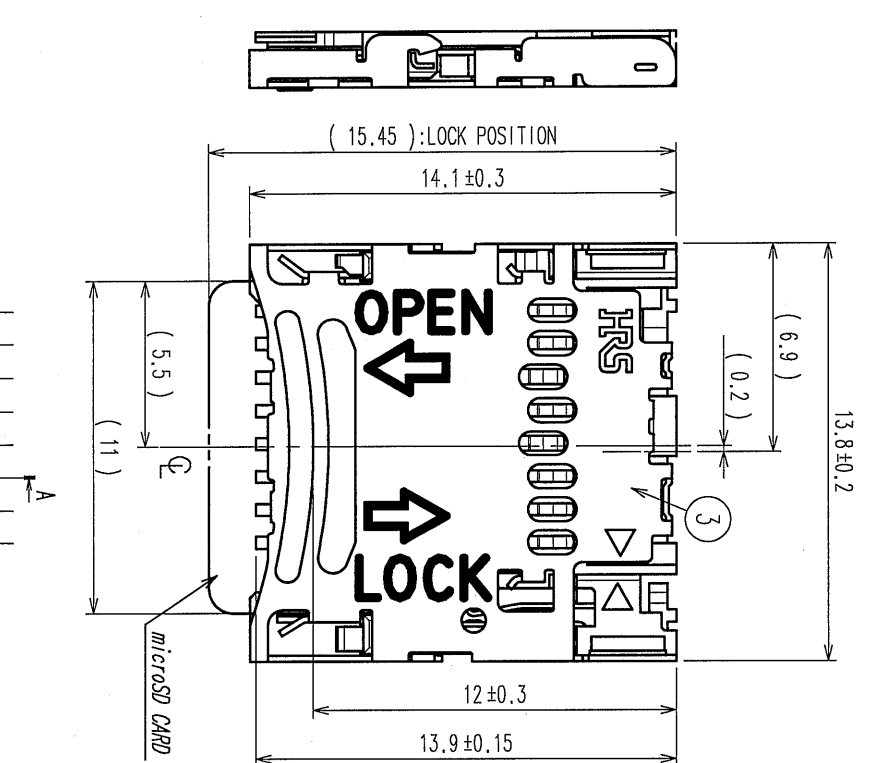
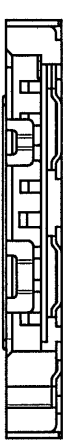
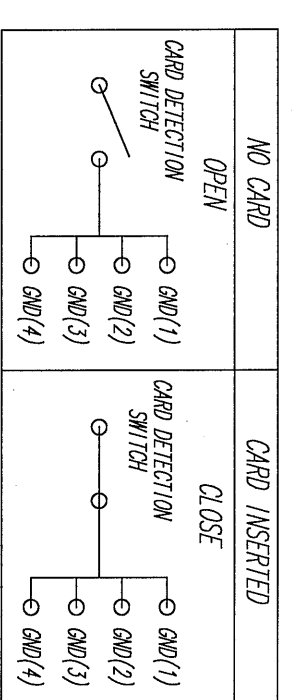


COUNT	DESCRIPTION OF REVISIONS	BY	CHKD	DATE	COUNT	DESCRIPTION OF REVISIONS	BY	CHKD	DATE



NOTE: 1) CO-PLANARITY SHALL BE 0.1mm MAX.  
2) CARD DETECTION SWITCH

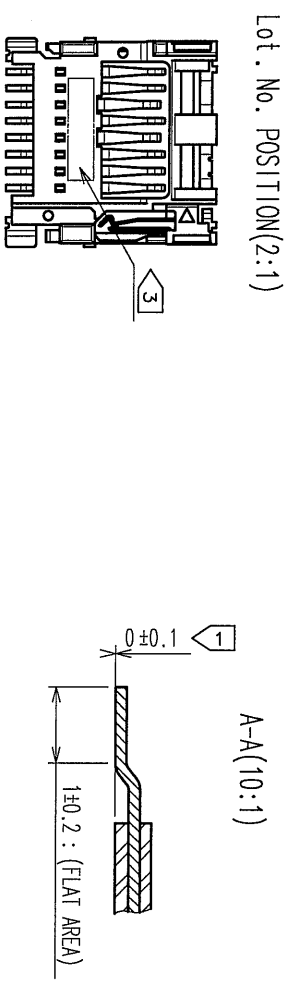


Lot. No. SHALL BE INDICATED AS SHOWN.

PRODUCTION LINE: LINE No. 1  
DATE: 26th  
MONTH: Jan.  
YEAR: 2007

MANUFACTURING DATE

YEAR	MONTH	DATE	YEAR	MONTH	DATE	YEAR	MONTH	DATE	YEAR	MONTH	DATE
2010	0	Jan.	A	1	1	B	21	M			
2011	1	Feb.	B	2	2	C	22	N			
2012	2	Mar.	C	3	3	D	23	P			
2013	3	Apr.	D	4	4	E	24	Q			
2014	4	May	E	5	5	F	25	R			
2015	5	Jun.	F	6	6	G	26	S			
2016	6	Jul.	G	7	7	H	27	T			
2017	7	Aug.	H	8	8	I	28	U			
2018	8	Sep.	I	9	9	J	29	V			
2019	9	Oct.	J	10	10	K	30	W			
		Nov.	K			L		X			
		Dec.	L								



NO.	MATERIAL	FINISH, REMARKS	NO.	MATERIAL	FINISH, REMARKS
3	STAINLESS STEEL		5~8	PHOSPHOR BRONZE	
2	PHOSPHOR BRONZE	CONTACT AREA Ni <sub>2</sub> μ m+Au <sub>0.1</sub> μ m MOUNTING AREA Ni <sub>1</sub> μ m+Au <sub>0.03</sub> μ m	4	PHOSPHOR BRONZE	CONTACT AREA Ni <sub>1</sub> μ m+Au <sub>0.03</sub> μ m MOUNTING AREA Ni <sub>1</sub> μ m+Au <sub>0.03</sub> μ m
1	LOP	BLACK UL94V-0			

CODE NO. (OLD)	DRAWN	DESIGNED	CHECKED	APPROVED	RELEASED
	K. KAGOTANI	K. KAGOTANI	K. KAGOTANI	K. KAGOTANI	
	07.05.22	07.05.22	07.05.24	07.05.24	

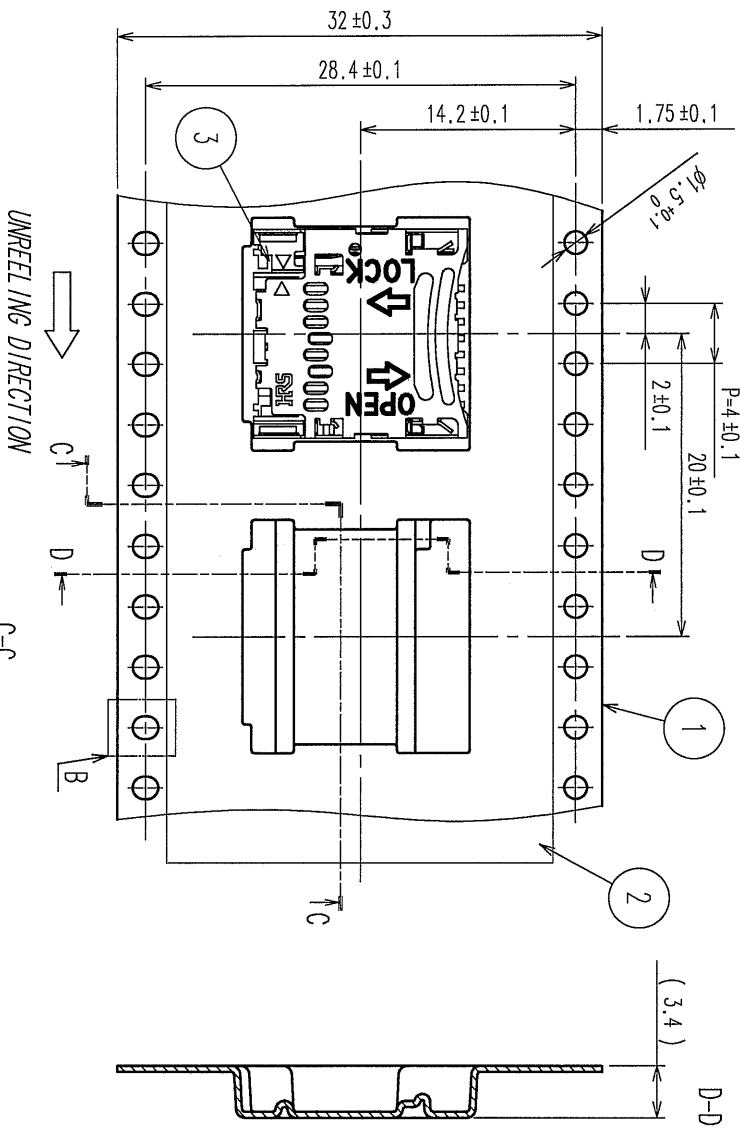
SCALE	DRAWING NO.	PART NO.	CODE NO.
4:1	EDC3-156211	DM3C-SF	CL609-0019-5



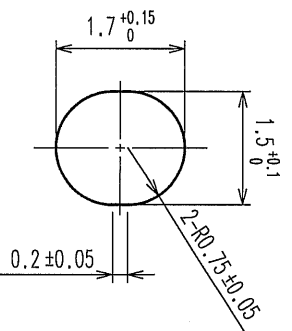
TO	

COUNT	DESCRIPTION OF REVISIONS	BY	CHKD	DATE	COUNT	DESCRIPTION OF REVISIONS	BY	CHKD	DATE

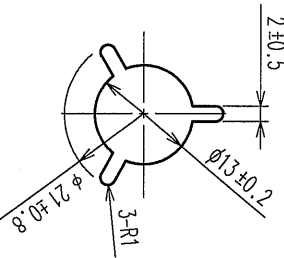
5 DRAWING FOR PACKING



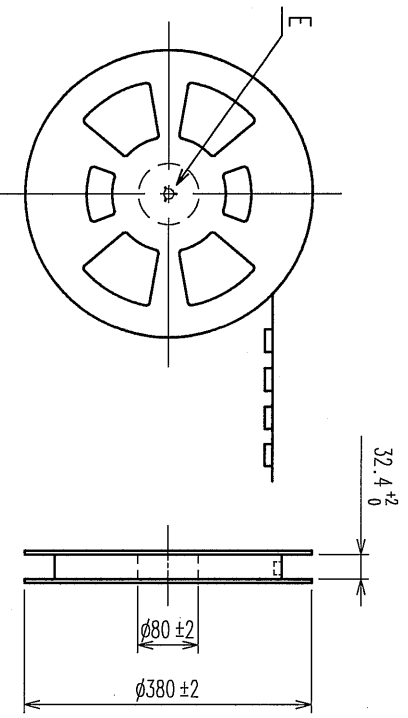
B(10:1)



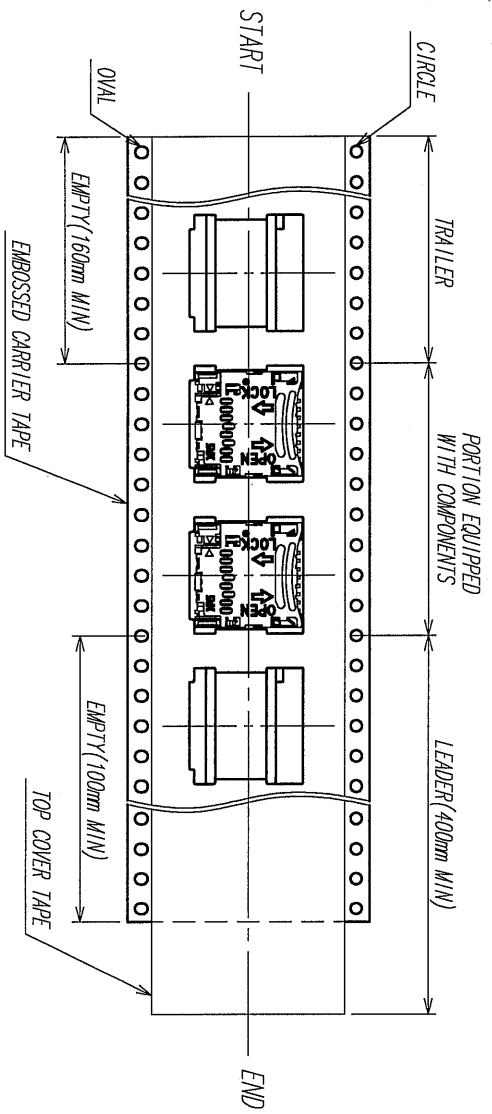
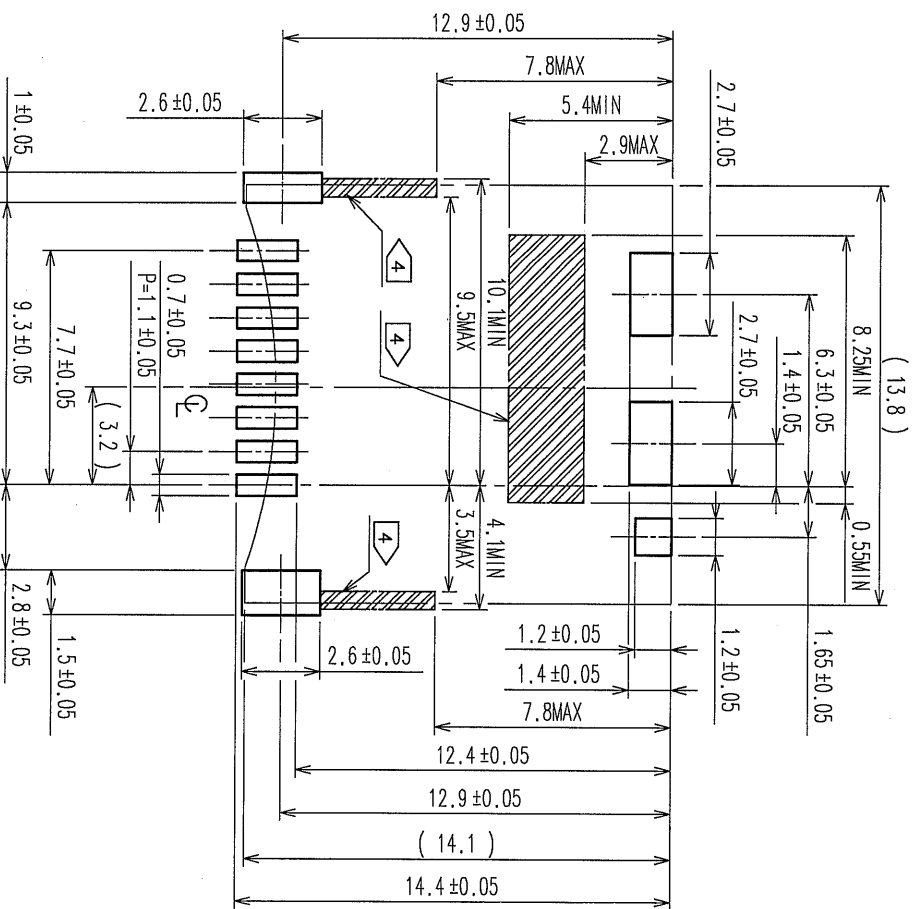
E(1:1)



DETAIL OF REEL (1:10)



RECOMMENDED PCB LAYOUT (MOUNTING SIDE)



NOTE. 4 : NO PATTERNS ARE PERMITTED IN THIS OBLIQUE-HATCHED AREA.

5 PACKING TYPE: TAPE AND REEL, 1300PCS PER REEL.

6 PLEASE REFER TO TECHNICAL SPECIFICATION : ETAD-F0335

\*DM3C SERIES PRODUCT INFORMATION AND HANDLING INSTRUCTIONS\* FOR THE HANDLING OF THE PRODUCT.

NO.	MATERIAL	FINISH, REMARKS	NO.	MATERIAL	FINISH, REMARKS
3	(CONNECTORS)				
2	POLYESTER				
1	PS				

NO.	MATERIAL	FINISH, REMARKS	NO.	MATERIAL	FINISH, REMARKS

CODE NO. (OLD)	DRAWN	DESIGNED	CHECKED	APPROVED	RELEASED
	K. KAGOTANI	K. KAGOTANI	K. KAGOTANI	K. KAGOTANI	
	07.05.22	07.05.22	07.05.24	07.05.24	

SCALE	DRAWING NO.	PART NO.	CODE NO.
FREE	EDC3-156211	DM3C-SF	CL609-0019-5
UNITS			
MM			

HRS	HIROSE ELECTRIC CO., LTD	CL609-0019-5	2

TO